



International, Ltd.

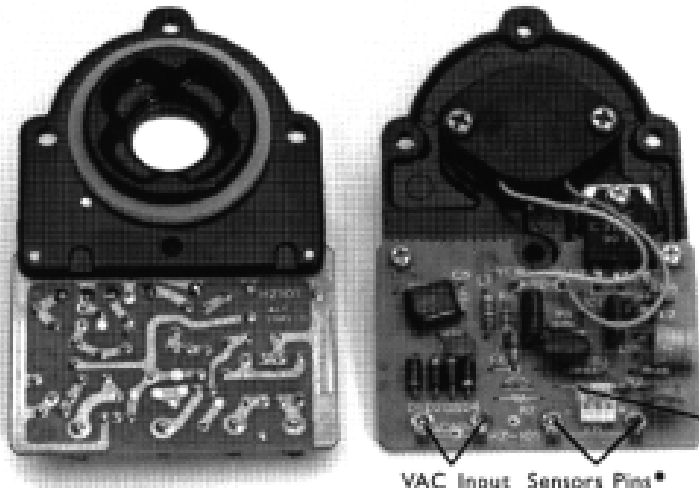
1.65Mhz Nebulizer Boards, Replacement Assemblies And Piezo Crystals (RoHS Compliant)

Duck Run, P.O. Box 180
Mackeyville, Pennsylvania 17750
Phone: +(570)-726-6961, Fax: +(570)-726-7466
<http://www.americanpiezo.com>

Specifications (Catalog # 50-1011)	
Rated Input Voltage	48VAC
Max. Power Input	29 ±1 Watts
Mist Output Ratio	~350cc/hr
Resonant Frequency	1.65MHz
Transducer Element Life	~10000 hrs
Current	0.6A
Operating Water Temperature	20 °C ~ 50 °C
Water Quality	Drinking Water
Min. Water Level	30 mm
Dimensions	4 1/4" x 2 3/4" x 7/8"
Average Water Droplet Size	~ 2 um

Features

- RoHS Compliant
- Create natural mist for special effects or humidity control
- Applications: home humidifiers, fountains, water statuary or indoor ponds
- Power adapter not included
- Unit must be properly cooled to prevent overheating
- 1.65 MHz Replacement Assemblies Available



Sensor pins must be connected to a safety level indicator to prevent the reservoir from operating under an empty condition and depolarizing the ceramic crystal. To operate the nebulizer board without a liquid level indicator connect a wire between the two pins to short the circuit



International, Ltd.

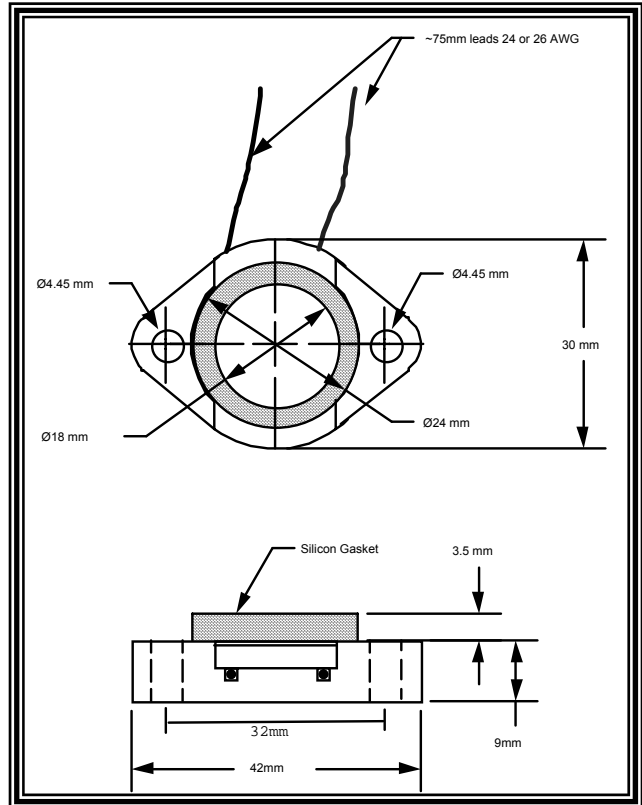
1.65Mhz Nebulizer Boards, Replacement Assemblies And Piezo Crystals (RoHS Compliant)

Duck Run, P.O. Box 180
Mackeyville, Pennsylvania 17750
Phone: +(570)-726-6961, Fax: +(570)-726-7466
<http://www.americanpiezo.com>

APC Products Inc. provides replacement assemblies and piezo discs for 1.65MHz nebulizers.

*Replacement Assembly Features:
(Catalog #50-1013)*

- *RoHS Compliant*
- *Easy replacement of nebulizer assembly*
- *Silicon gasket to prevent leaking*
- *Available for 1.65MHz*
- *Stainless steel face on the piezo element to protect the ceramic*
- *Other coatings available on request*



*Piezo Disc Features:
(Catalog #50-1014)*

- *For use with piezo ultrasonic nebulizers*
- *Wrap around "bullseye" electrode for easy connection*
- *Available in 1.65MHz with stainless steel coating*
- *Other coating available*

