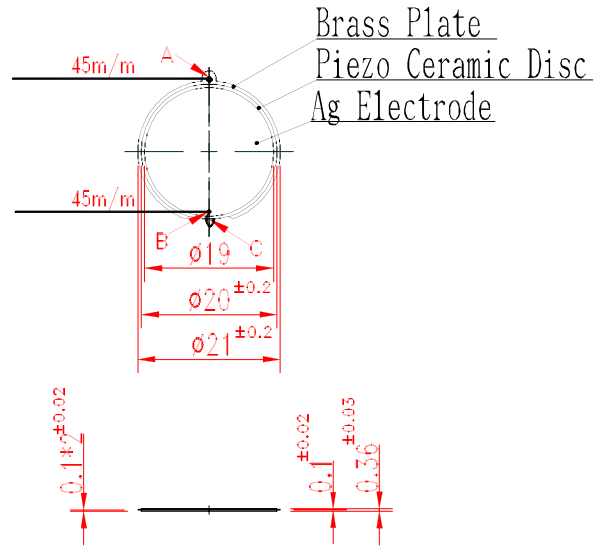
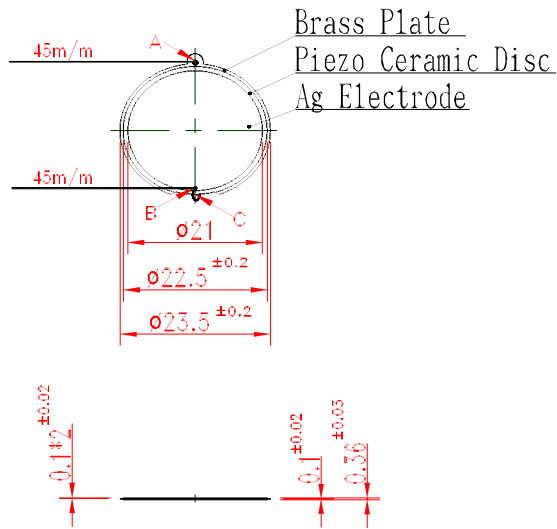


Part Description: 211040T-JB/T04 with leads
Catalogue Number: 20-2225



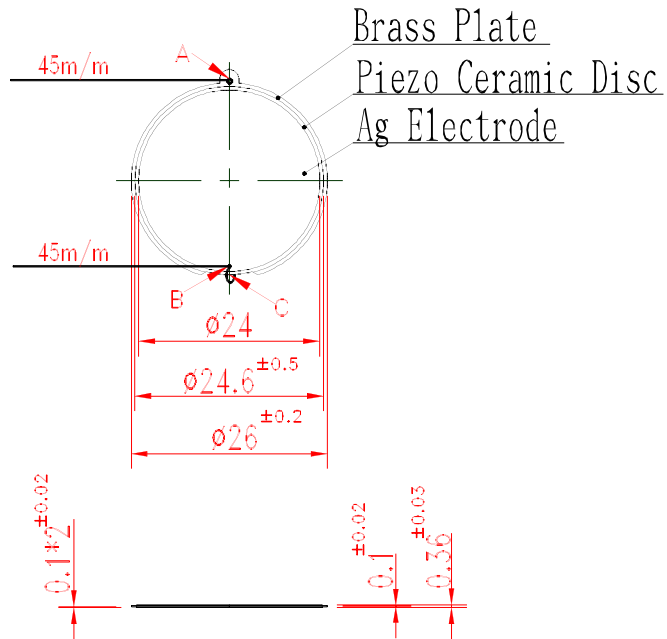
1. Dimension: As per drawing above in m/m
2. Type: Bimorph
3. Resonant Frequency : 4.0 ± 0.5 KHZ
4. Resonant Impedance : 200 ohm MAX
5. Electrostatic Capacitance: 100.000PF $\pm 30\%$
6. Input Voltage: 15V p-p MAX
7. Operating Temperature: -20° C to $+70^{\circ}$ C

Part Description: 231430T-JB/T04 with leads
Catalogue Number: 20-2230



1. Dimension: As per drawing above in m/m
2. Type: Bimorph
3. Resonant Frequency : 3.0 ± 0.5 KHZ
4. Resonant Resistance : 200 ohm MAX
5. Electrostatic Capacitance: $140.000 \pm 30\%$ PF
6. Input Voltage: 15V p-p MAX
7. Operating Temperature: -20° C to $+70^{\circ} \text{ C}$

Part Description: 261626T-JB/T04 with leads
Catalogue Number: 20-2235



1. Dimension: As per drawing above in m/m
2. Type: Bimorph
3. Frequency Resonant: 2.6 ± 0.5 KHZ
4. Resonant Resistance: 150 ohm MAX
5. Electrostatic Capacitance: $160,000 \pm 30\%$ PF
6. Input Voltage: 15V p-p MAX
7. Operating Temperature: -20° C to $+70^{\circ}$ C