

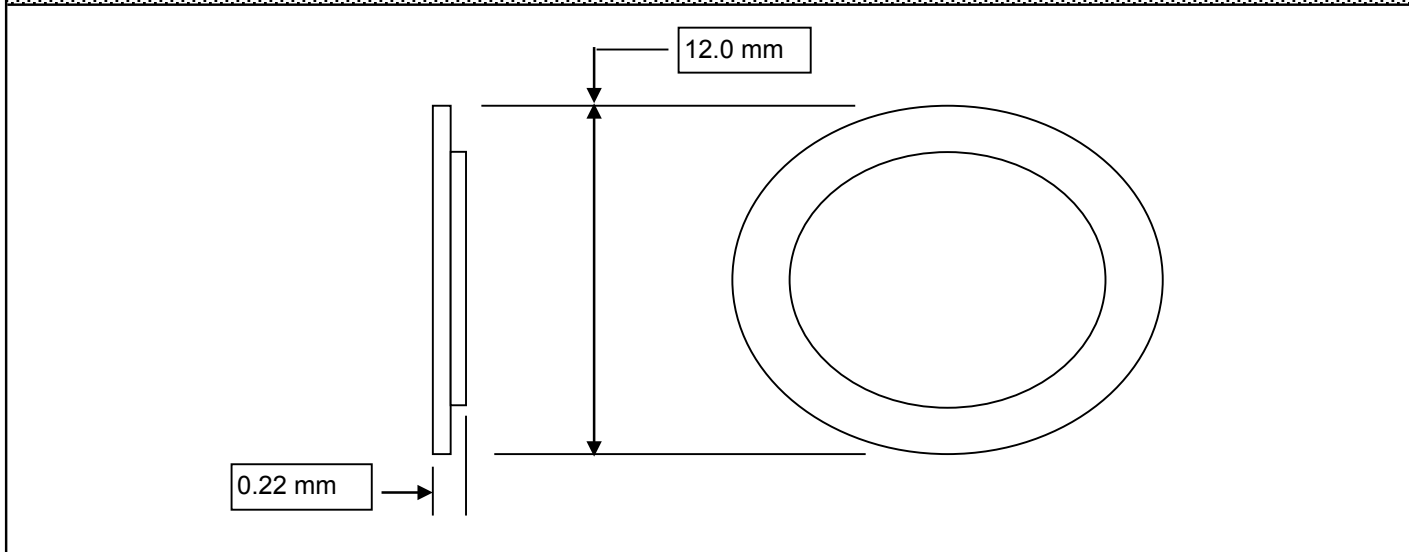


APC International, Ltd.

PO Box 180, 213 Duck Run Road
 Mackeyville, Pennsylvania 17750 USA
 Phone: +1.570.726.6961
 Fax: +1.570.726.7466
 www.americanpiezo.com
 sales@americanpiezo.com

Part Number:	20-1005	Description:	FTBD-12T-9.5A1
--------------	----------------	--------------	-----------------------

Visual Description:	Ceramic with electrode on brass	Transducer Type:	Unimorph
Resonant Frequency	9.5 KHz +/- 1.0 kHz	Ohms @ Resonant Frequency	< 1000
Capacitance @ 100 Hz	8000 pF +/- 30 %	Max Drive Voltage	30 Volt P/P
Brass Diameter (mm)	12.0 +/- .30	Overall Thickness (mm)	.22 +/- .1
Ceramic Diameter (mm)	9	Brass Thickness (mm)	0.1



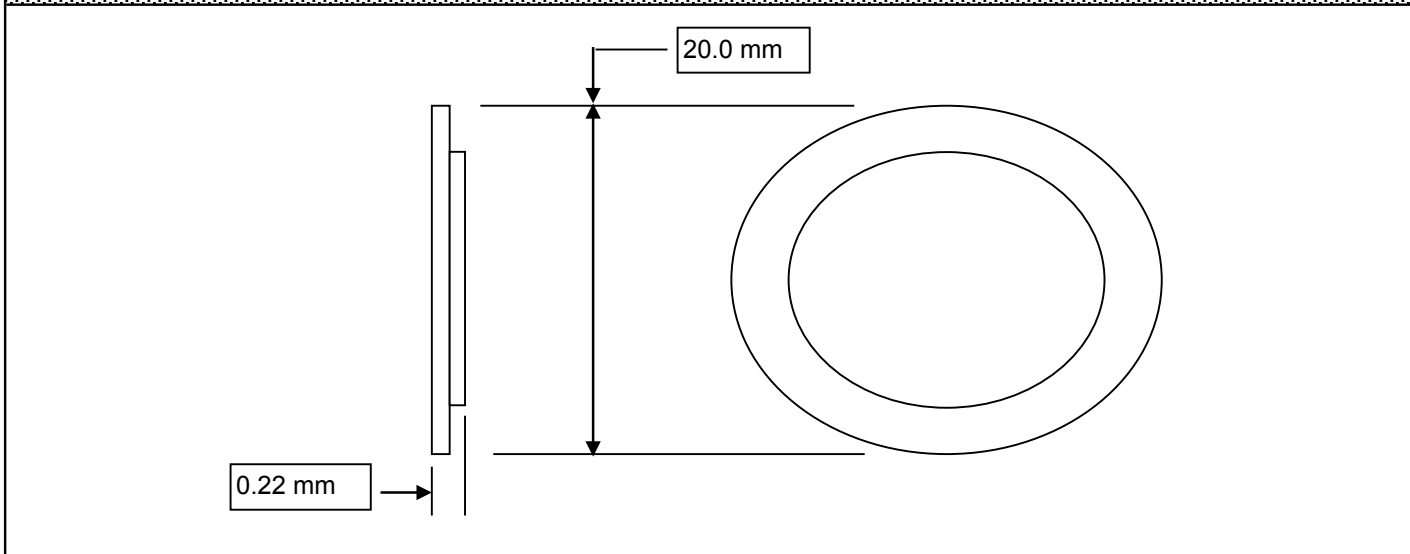


APC International, Ltd.

PO Box 180, 213 Duck Run Road
 Mackeyville, Pennsylvania 17750 USA
 Phone: +1.570.726.6961
 Fax: +1.570.726.7466
 www.americanpiezo.com
 sales@americanpiezo.com

Part Number:	20-1015	Description:	FT-20T-3.9A1
--------------	----------------	--------------	---------------------

Visual Description:	Ceramic with electrode on brass	Transducer Type:	Unimorph
Resonant Frequency	3.9 KHz +/- .50	Ohms @ Resonant Frequency	< 1000
Capacitance @ 100 Hz	25,000 pF +/- 30 %	Max Drive Voltage	30 Volt P/P
Brass Diameter (mm)	20.00 +/- .30	Overall Thickness (mm)	.22 +/- .1
Ceramic Diameter (mm)	15	Brass Thickness (mm)	0.1



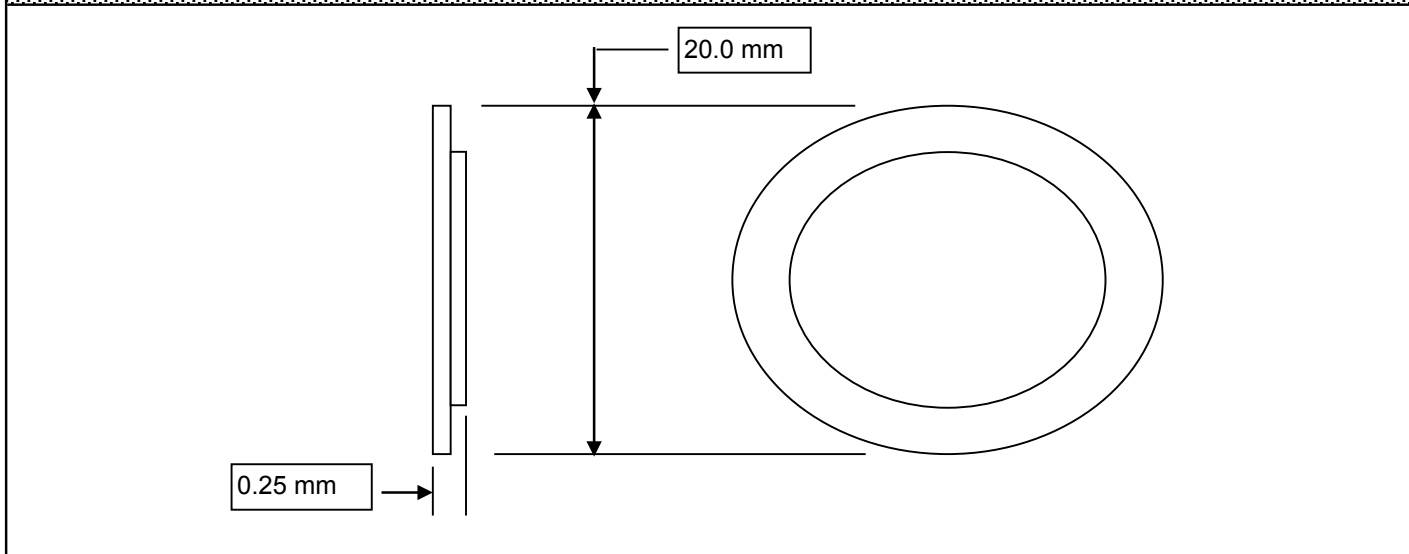


APC International, Ltd.

PO Box 180, 213 Duck Run Road
 Mackeyville, Pennsylvania 17750 USA
 Phone: +1.570.726.6961
 Fax: +1.570.726.7466
 www.americanpiezo.com
 sales@americanpiezo.com

Part Number:	20-1020	Description:	FT-20T-4.0A1
--------------	----------------	--------------	---------------------

Visual Description:	Ceramic with electrode on brass	Transducer Type:	Unimorph
Resonant Frequency	4.0 KHz +/- .50	Ohms @ Resonant Frequency	< 1000
Capacitance @ 100 Hz	18,000 pF +/- 30 %	Max Drive Voltage	30 Volt P/P
Brass Diameter (mm)	20.00 +/- .30	Overall Thickness (mm)	.25 +/- .1
Ceramic Diameter (mm)	15	Brass Thickness (mm)	0.1



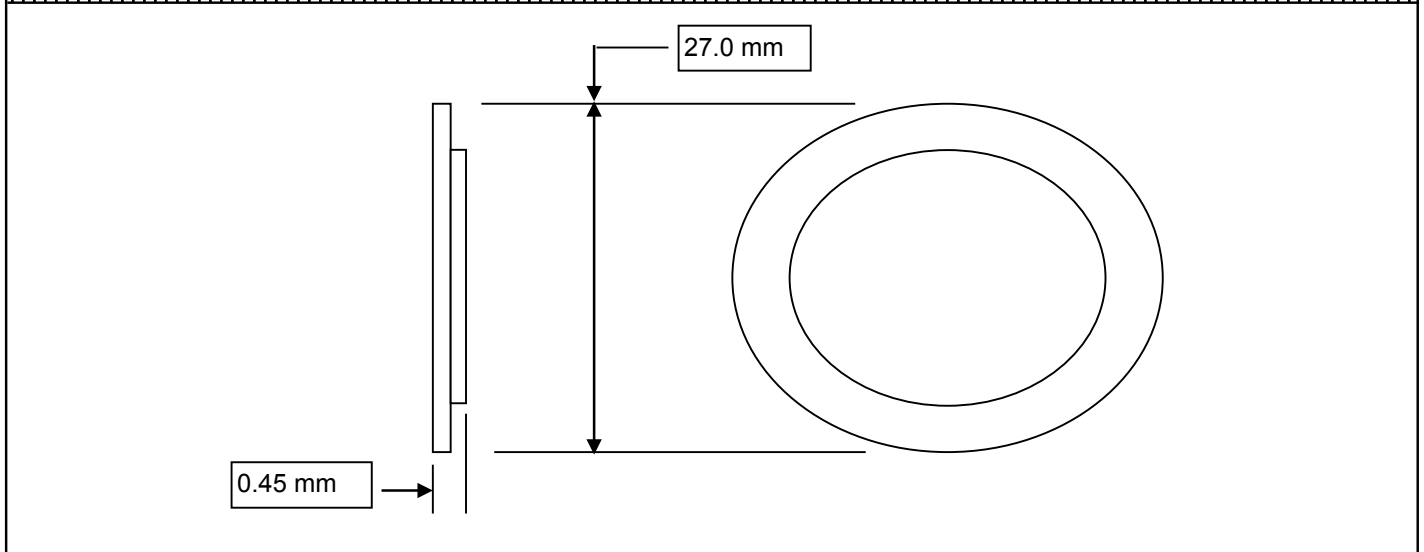


APC International, Ltd.

PO Box 180, 213 Duck Run Road
 Mackeyville, Pennsylvania 17750 USA
 Phone: +1.570.726.6961
 Fax: +1.570.726.7466
 www.americanpiezo.com
 sales@americanpiezo.com

Part Number:	20-1035	Description:	FT-27T-3.8A1
--------------	----------------	--------------	---------------------

Visual Description:	Ceramic with electrode on brass	Transducer Type:	Unimorph
Resonant Frequency	3.8 +/- .50 kHz	Ohms @ Resonant Frequency	< 1000
Capacitance @ 100 Hz	25000 pF +/- 30 %	Max Drive Voltage	30 Volt P/P
Brass Diameter (mm)	27.0 +/- .30	Overall Thickness (mm)	.45 +/- .1
Ceramic Diameter (mm)	20	Brass Thickness (mm)	0.22



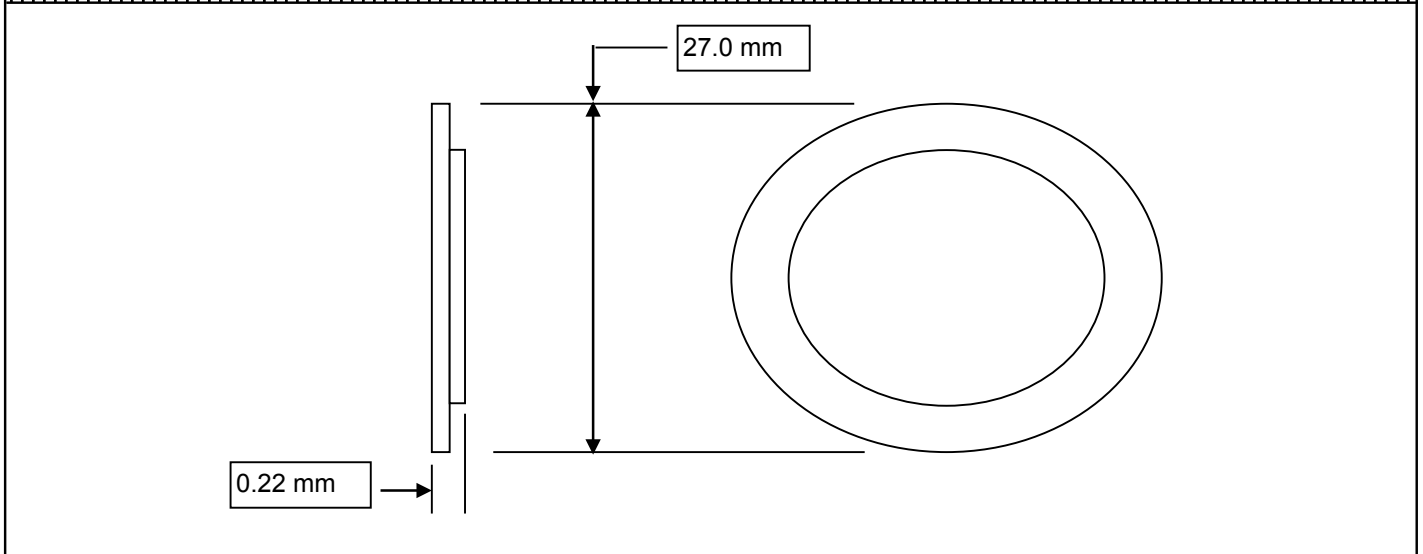


APC International, Ltd.

PO Box 180, 213 Duck Run Road
 Mackeyville, Pennsylvania 17750 USA
 Phone: +1.570.726.6961
 Fax: +1.570.726.7466
 www.americanpiezo.com
 sales@americanpiezo.com

Part Number:	20-1320	Description:	FT-27T-2.3A1
--------------	----------------	--------------	---------------------

Visual Description:	Ceramic with electrode on brass	Transducer Type:	Unimorph
Resonant Frequency	2.3 KHz +/- 1.0 kHz	Ohms @ Resonant Frequency	< 1000
Capacitance @ 100 Hz	45000 pF +/- 30 %	Max Drive Voltage	30 Volt P/P
Brass Diameter (mm)	27.0 +/- .30	Overall Thickness (mm)	.22 +/- .1
Ceramic Diameter (mm)	20	Brass Thickness (mm)	0.1





APC International, Ltd.

PO Box 180, Duck Run
 Mackeyville, PA 17750 USA
 Phone +570-726-6961
 Phone +570-726-7466
 www.americanpiezo.com
 apcsales@americanpiezo.com

Part Number:		Description:	P121343-JB8B
--------------	--	--------------	---------------------

Visual Description:	Two Ceramics on Center Brass with Two Outer Brass	Transducer Type:	Bimorph
Resonant Frequency	43 +/- 5 KHz	Ohms @ Resonant Frequency	< 1000
Capacitance @ 100 Hz	13,000 pF +/- 30 %	Max Drive Voltage	30 Volt P/P
Overall Diameter (mm)	12 +/- .30	Overall Thickness (mm)	0.54 +/- .10
Center Brass Diameter (mm)	12 +/- .30	Center Brass Thickness (mm)	0.1 +/- .05
Crystal Diameter (mm) - 2X	9 +/- .30	Crystal Thickness (mm) - 2X	0.1 +/- .05
Outer Brass Diameter (mm) - 2X	8 +/- .30	Outer Brass Thickness (mm) - 2X	0.1 +/- .05

