

## #90-4070



120 kHz Cleaning  
Transducer

### FEATURES

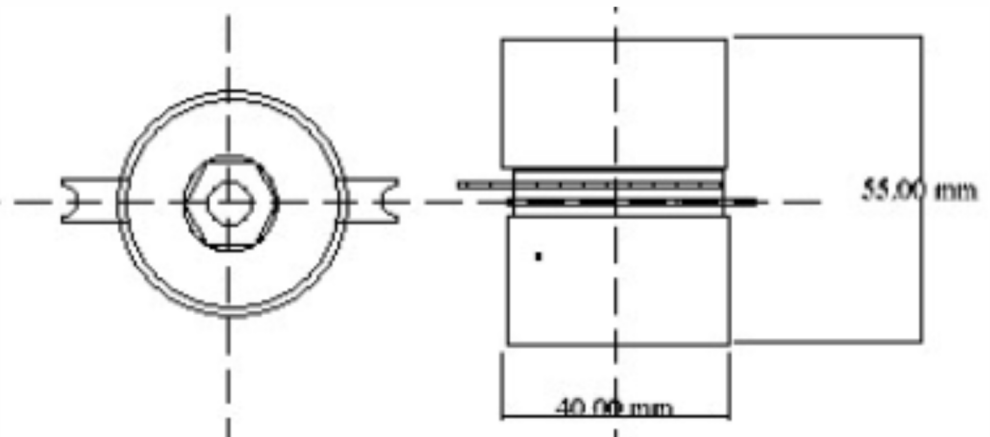
- High Efficiency
- Large Amplitude
- Low Heat
- Stable Output Regardless of Load

### APPLICATIONS

- Ultrasonic Cleaning Apparatus
- Ultrasonic Jewelry Cleaner

### TECHNICAL SPECIFICATIONS

Description	120kHz Sandwich Transducer
Operating Frequency	120kHz
Capacitance	3.7nF
Impedance	50 max.
Mechanical Q (Qm1)	100 min.
Power	80 Watts continuous RMS power 60 Watts RMS large fq. sweeping
Coupling Factor (kp)	55% min.
Major OD	40mm
Overall Length	55mm
Weight	265 grams



Rev. 9/20/23