



# Ultrasonic Cleaning Transducers

#90-4050



40kHz Cleaning Transducer

## FEATURES

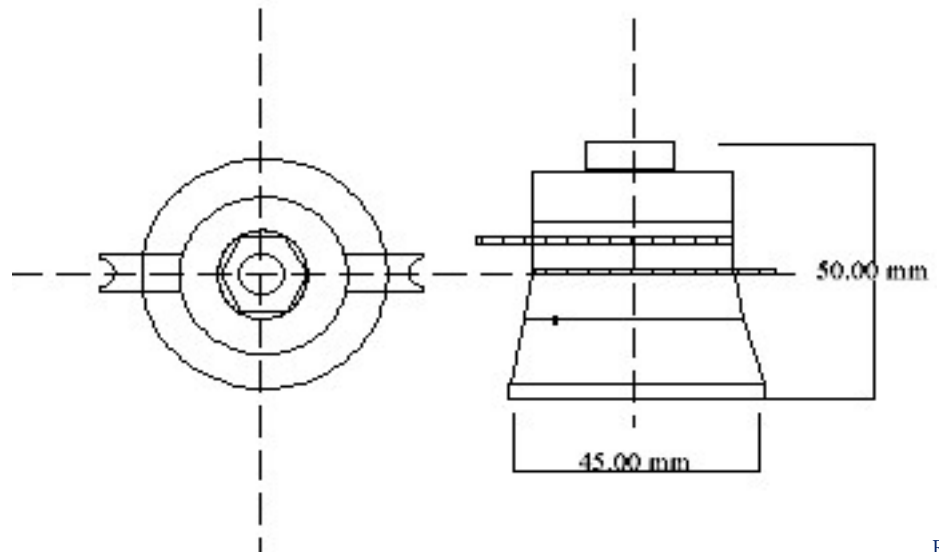
- High Efficiency
- Large Amplitude
- Low Heat
- Stable Output Regardless of Load

## APPLICATIONS

- Ultrasonic Cleaning Apparatus
- Ultrasonic Jewelry Cleaner

## TECHNICAL SPECIFICATIONS

Operating Frequency	40kHz
Capacitance	3.8nF
Impedance	50 max.
Mechanical Q (Qm1)	800 min.
Power	50 watts
Coupling Factor (kp)	55% min.
Major OD	45mm
Overall Length	50mm
Model	C-403545



Rev. 4/25/14