



Ultrasonic Power Transducers



#90-5000



APC-4SS-1550

FEATURES

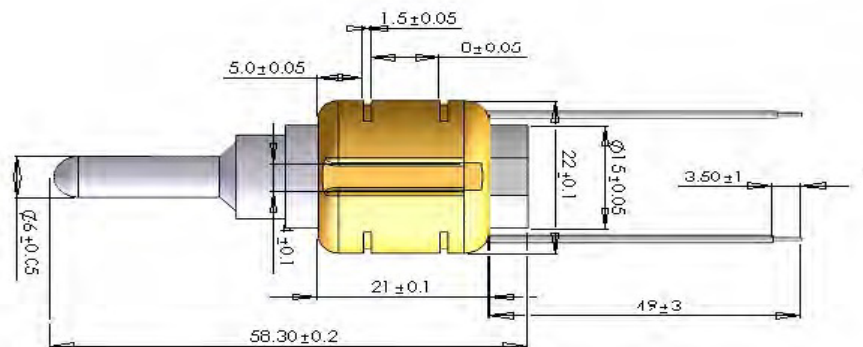
- High Efficiency
- Large Amplitude
- Low Heat
- Stable Output Regardless of Load

APPLICATIONS

- Fabric Cleaning
- Nebulizer / Atomizer
- Ultrasonic Mixing
- Cell Disruption

TECHNICAL SPECIFICATIONS

Resonant Frequency	50 ± 2 KHz
Resonant Resistance	60 Ω (MAX)
Capacitance	$2,750 \pm 20\%$ pF
Bandwidth	≥ 1.0 KHz
Insulation Resistance	$\geq 500M \Omega$ 2,500VDC



Rev. 4/29/14